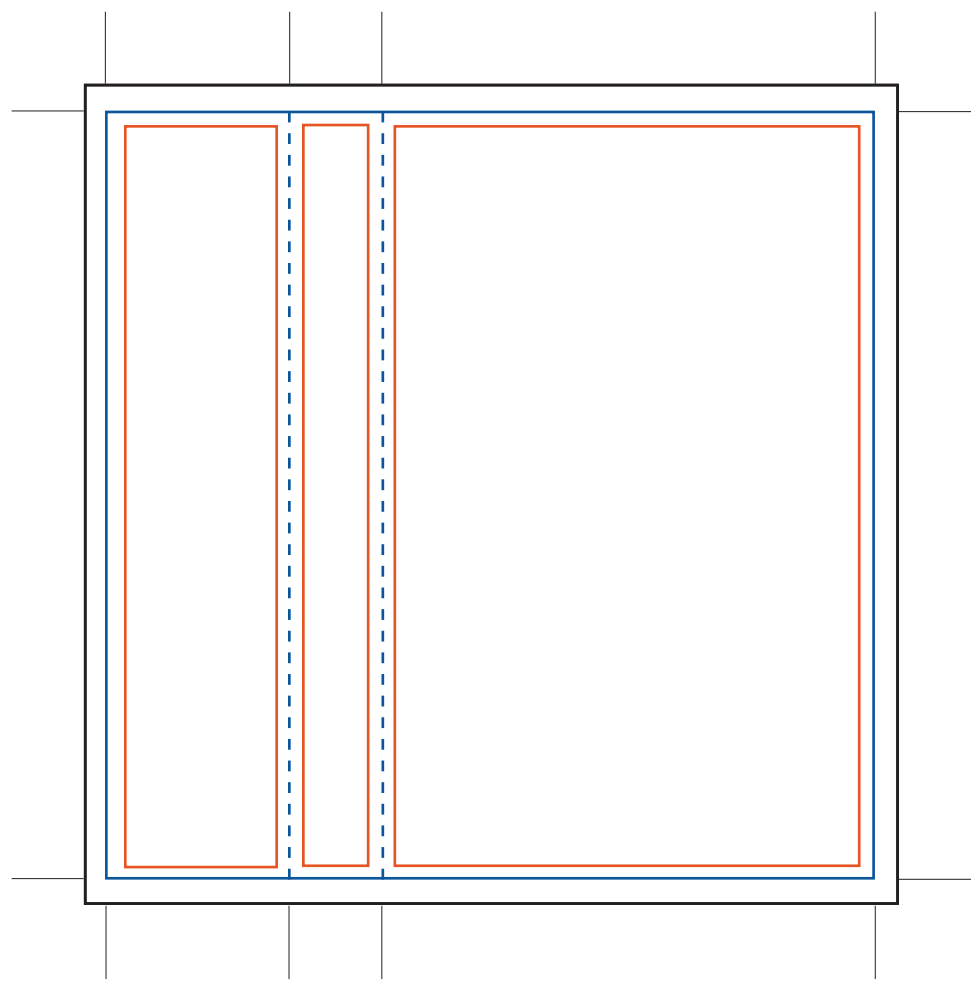
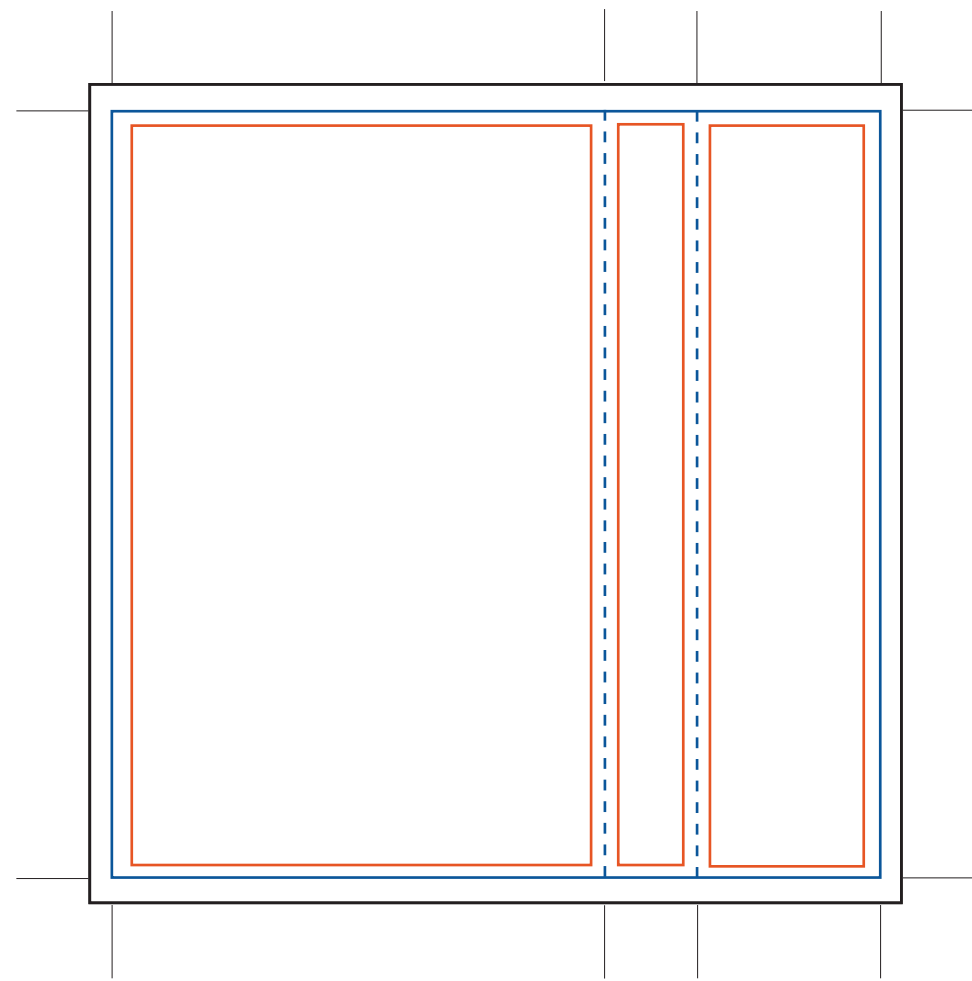


LEGEND
BLEED _____
TRIM _____
SAFETY _____
FOLD _____



FRONT COVER

LEGEND
BLEED _____
TRIM _____
SAFETY _____
FOLD _____



BACK COVER